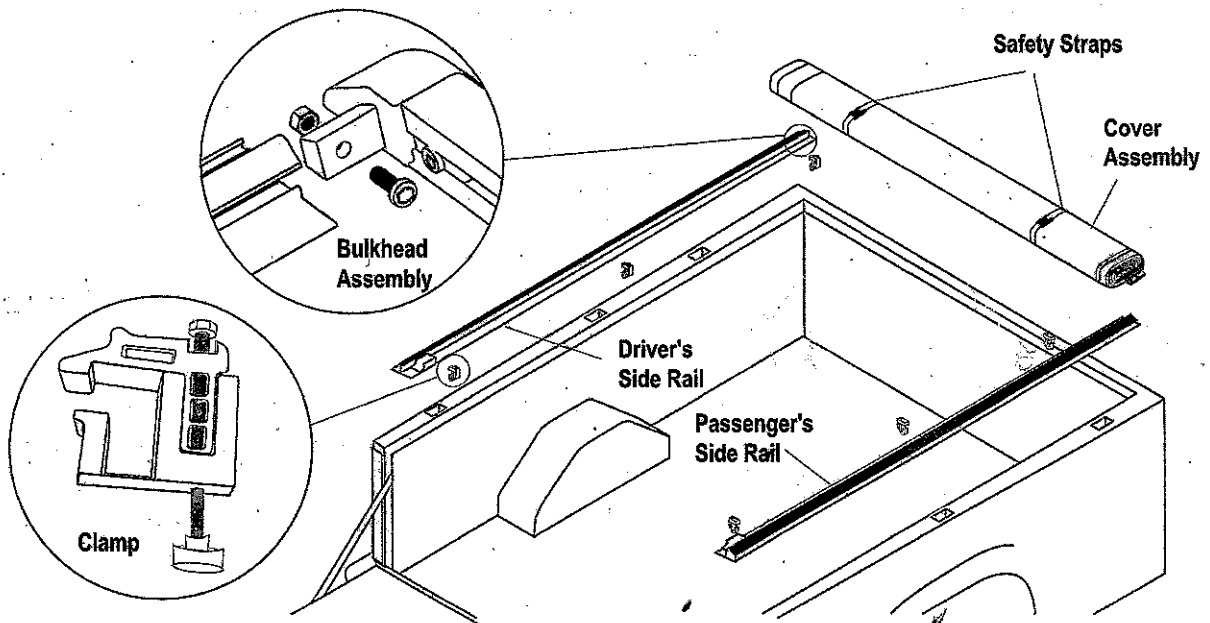
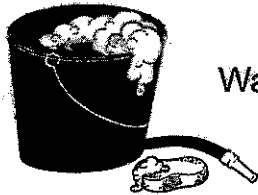


SOFT ROLL-UP TONNEAU COVER

Installation Instructions



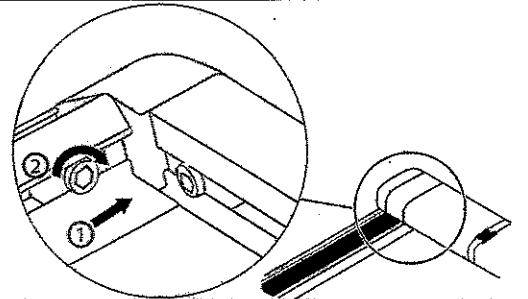
1



Wash truck bed.

Installing the Cover Assembly

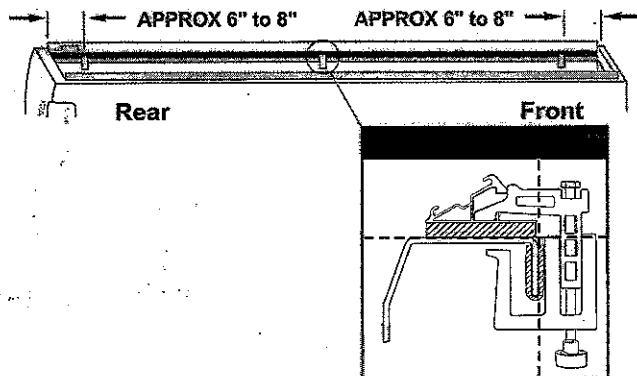
Place the cover on the top of truck front rail, slide the driver's side rail into this bulkhead, then tighten the front bulkhead assembly. Follow the same procedure to install the passenger's side rail.



2

Positioning Side Rails

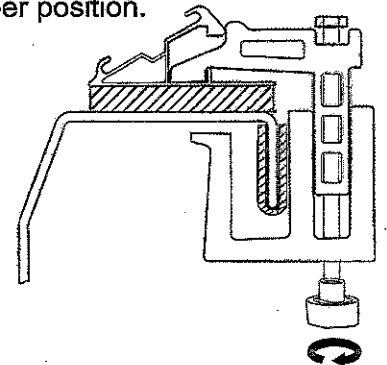
Place the side rail on the top of truck side rail vertically leveled. Start at the tailgate evenly space 3 clamps along each. Leave approximately 6 to 8 inches space on each end.



3

Tightening Clamps

Do not tighten clamps until all clamps are in proper position.

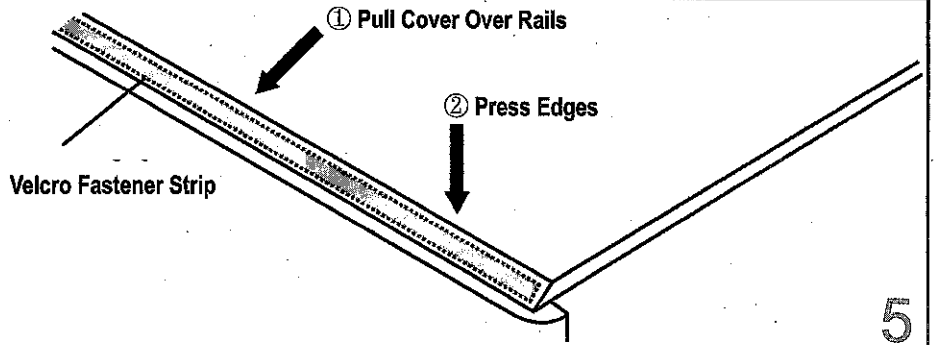


4

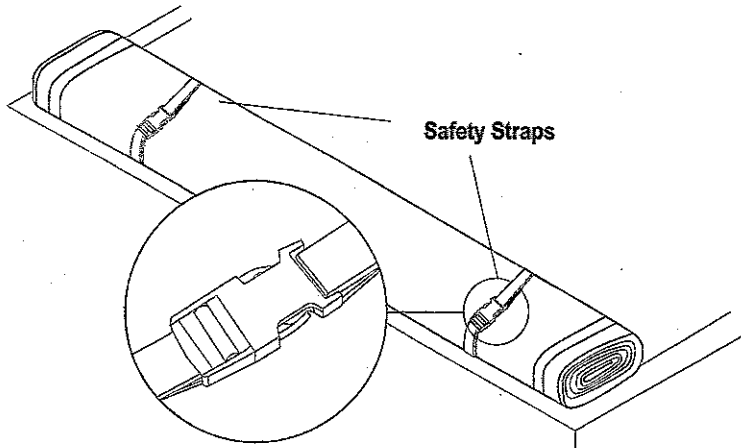
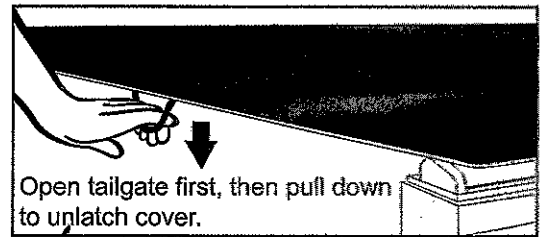
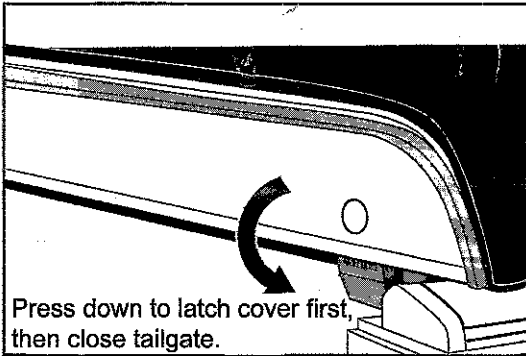
Note: Clamps may vary by specific vehicles.

Secure Velcro Fastener

Pull the cover over velcro fastener strips on one side of the rail, then press cover edges to fastener. Follow the same procedure on the opposite side.



Latching and Unlatching your cover



Open the Cover

Roll the cover toward the cab making sure both sides of cover rolled evenly. Secure the cover open by hooking the safety straps to the front loops.

Tension Control System

The cover has been set at the factory for moderate tension to keep your cover free of wrinkles. Depending on weather conditions it may be necessary for you to adjust the tension control on the cover. To adjust the tension control, simply loosen the screws on the tension plate, then slide the tension plate towards the tailgate to a right scale line.

